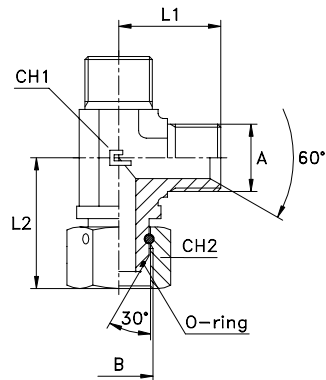


BARREL TEE ADAPTER WITH SWIVEL NUT

Thread BSP Parallel

Type: **3066..**



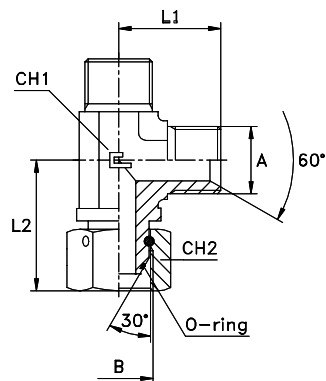
Series BS	30.... [bar]	31.... [bar]	Ordering Complete	A	B	L1	L2	CH1	CH2
UNIVERSAL	400	400	306601	1/8	1/8	21	25	11	14
			306602	1/4	1/4	26	33	14	19
			306603	3/8	3/8	29	37	19	22
	350	350	306604	1/2	1/2	34	43	22	27
			306605	5/8	5/8	38	49	27	30
	315	315	306606	3/4	3/4	41	53,5	27	32
	250	250	306607	1	1	45	60,5	33	41
	200	200	306608	1 1/4	1 1/4	57	64	41	50
	160	160	306609	1 1/2	1 1/2	59	72,5	48	55
	125	125	306610	2	2	78	91	65	70

Notes: If you wish to order a fitting in stainless steel, please change the first two digit from **30....** to **31....** .

BARREL TEE ADAPTER WITH SWIVEL NUT

Thread Metric Parallel

Type: **3067..**



Series BS	30.... [bar]	31.... [bar]	Ordering Complete	A	B	L1	L2	CH1	CH2
UNIVERSAL	400	400	306701	12x1,5	12x1,5	21	26	11	14
			306702	14x1,5	14x1,5	26	33	14	19
			306703	16x1,5	16x1,5	29	37	19	22
			306704	18x1,5	18x1,5	29	38	19	24
	350	350	306705	20x1,5	20x1,5	34	44	22	27
			306706	22x1,5	22x1,5	34	44	22	27
	315	315	306707	26x1,5	26x1,5	41	53	27	32
	250	250	306708	30x1,5	30x1,5	45	58	33	36

Notes: If you wish to order a fitting in stainless steel, please change the first two digit from **30....** to **31....** .
Articles available on request only.